



VIRACON®
GLASS IS EVERYTHING™

CLEARPOINT™

NOW, A SOLUTION THAT OFFERS A MODERN VIEW.

ClearPoint™ is an insulating point supported system that increases the transparency of a glass façade. Specifically engineered to provide building designers with greater flexibility, ClearPoint allows architects to maximize clear openings while enhancing aesthetics. ClearPoint delivers a clean contemporary look both inside and out.

Why Architects are choosing ClearPoint:

- Greater transparency in a glass façade.
- Low-E coating and silk-screen capabilities to optimize performance.
- Backed by Viracon heat soaked tempered glass and insulating glass Standard Limited Warranties* for peace of mind.



Project: Constitution Square

Location: Washington, D.C.

Architect: Hellmuth, Obata & Kassabaum (HOK)

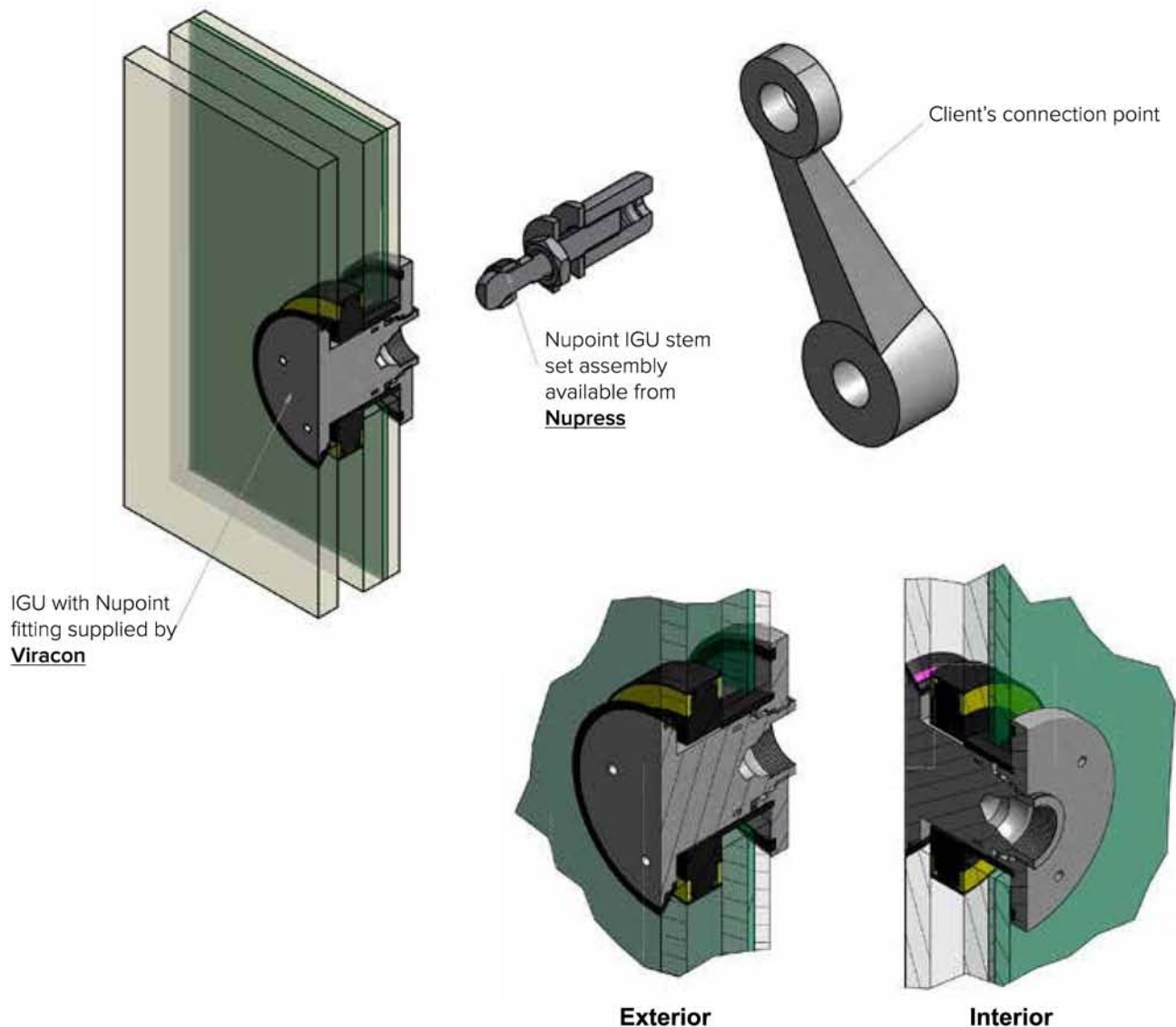
Glazing Contractor: Harmon Inc.

Photographer © Anne Gummerson

*See www.viracon.com for more information on limited warranties.

Mounting System:

The hardware solution offered by Viracon is made from 316 stainless steel and has a number 4 finish. The interior base spacer that rests between the exterior and interior glass of the insulating glass unit is comprised of a proprietary material that has passed testing for out-gassing, ultraviolet light, caulking and discoloration. A countersunk system is available for applications requiring exterior tempered glass solutions. Nupress can supply a variety of stems that connect the insulating glass unit fitting to the client's connection point.



Viracon Point Supported Systems:

It is important to note that the system performance is the responsibility of the system designer and not that of Viracon. Viracon is not responsible for determining the appropriate design loads and/or glass construction.

For additional information visit www.viracon.com, or contact us at glass@viracon.com or call 800-533-2080.